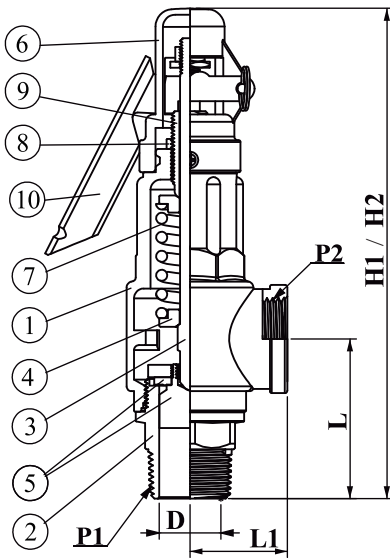


# HSM

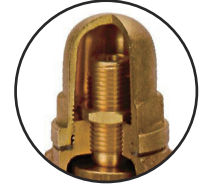
series

## Válvula de Seguridad Elevacion Baja- Bronce

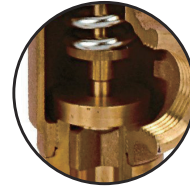
- Tamano: 1/2"(DN13) to 2"(DN50)
- Presion de Trabajo: 0.3 to 25 bar
- Temp de Trabajo.: -45°C to 185°C
- Conexion Standard: NPT/PT/BSPP/BSPT.....etc.



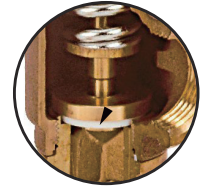
HSM21



HSM22



BB



BC

ITEM	PARTS	MATERIAL			
		HSM21-BB	HSM21-BC	HSM22-BB	HSM22-BC
1	VALVE BODY	BRONZE	BRONZE	BRONZE	BRONZE
2	VALVE SEAT	BRASS	BRASS	BRASS	BRASS
3	STEM	BRASS	BRASS	BRASS	BRASS
4	SPRING SEAT	BRASS	BRASS	BRASS	BRASS
5	DISC	BRASS	BRASS+PTFE	BRASS	BRASS+PTFE
6	CAP	BRASS	BRASS	BRONZE	BRONZE
7	SPRING	STEEL	STEEL	STEEL	STEEL
8	NUT	BRASS	BRASS	BRASS	BRASS
9	ADJUSTING SCREW	BRASS	BRASS	BRASS	BRASS
10	HANDLE	STEEL	STEEL	-	-

DIMENSIONS (MM)													
P1 INLET	P2 OUTLET	D ORIFICE DIAMETER	A ORIFICE AREA (MM <sup>2</sup> )	LIFT	L1	L2	HSM21 H1	HSM22 H2	WEIGHT (KG)				
									HSM21-BB	HSM21-BC	HSM22-BB	HSM22-BC	
1/2"	1/2"	13	133	0.52	32	48	158	137	0.576	0.572	0.476	0.48	
3/4"	3/4"	19	283	0.76	36	55	169	145	0.716	0.714	0.643	0.61	
1"	1"	25	491	1.00	40	65	199	175	1.228	1.222	1.072	1.042	
1 1/4"	1 1/4"	32	804	1.28	52	75	223	198	1.995	1.91	1.745	1.738	
1 1/2"	1 1/2"	38	1134	1.52	58	86	243	225	2.416	2.412	2.328	2.348	
2"	2"	50	1963	2.00	65	100	284	256	3.928	3.935	3.568	3.682	